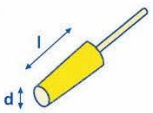
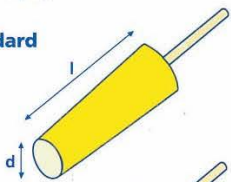
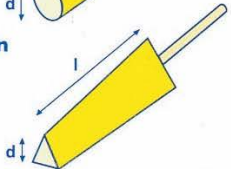


## Potters Sponge Tools for Smoothing and Fettling

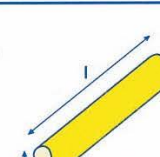
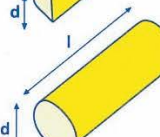
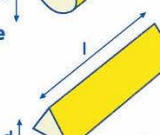
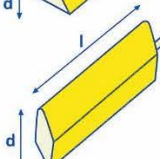
- For rapid, high quality finishing of all types of ceramic ware.
- A supreme range of shapes and materials supplied to large and small ceramics manufacturers around the world.
- For solving your sponging problem, Hygan offers a personal service to design and manufacture the best product for the job.



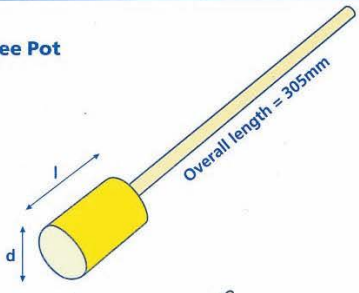
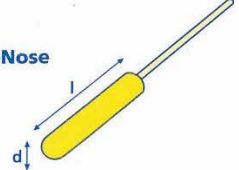
**Tapered Range**

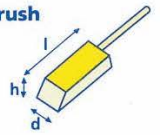
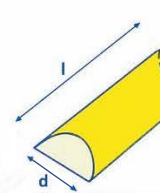
	d (mm)	l (mm)
<b>Mini</b> 	11	62
<b>Standard</b> 	11 14 17 20 25	89 89 89 89 89
	1/4" 1/2" 5/8" 3/4" 1"	
<b>Trigan</b> 	10 15 20 25	62 62 89 89
	mini/mini mini standard jumbo	

**Straight Range**

	d (mm)	l (mm)
<b>Combo</b> 	20 25 35 40	89 89 89 89
	tiny standard large ex.large	
<b>Round</b> 	11 16 20 25	65 80 89 89
	11mm 16mm 20mm 25mm	
<b>Triangle</b> 	15 20 25 30	89 89 89 89
	15mm 20mm 25mm 30mm	
<b>Wedge</b> 	20	89

**Others - shapes and sizes can be varied**

	d (mm)	l (mm)
<b>Coffee Pot</b> 	32	64
<b>Bull-Nose</b> 	11 16 24	65 80 105
	Small Medium Large	

	d (mm)	l (mm)	h (mm)
<b>Paint Brush</b> 	25 50 65	50 70 70	15 15 20
	small medium large		
<b>Zoom</b> 	50	110	